

# Wedgetail Rails and Platform Fitting Instruction

## To suit Isuzu Trucks N-series Single Cab Flat Roof



WT-INSF-1119

**Congratulations on the purchase of your Australian made Wedgetail Roof Rack product.**

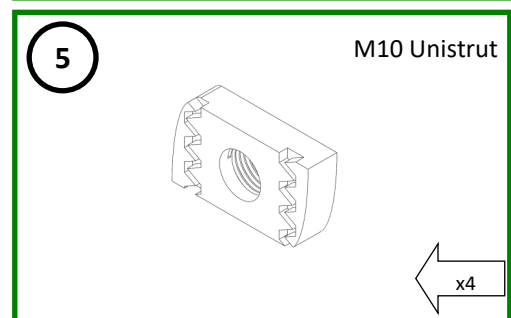
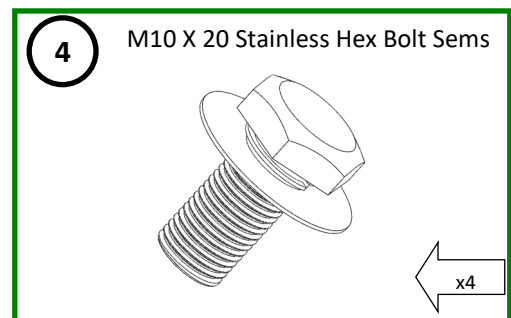
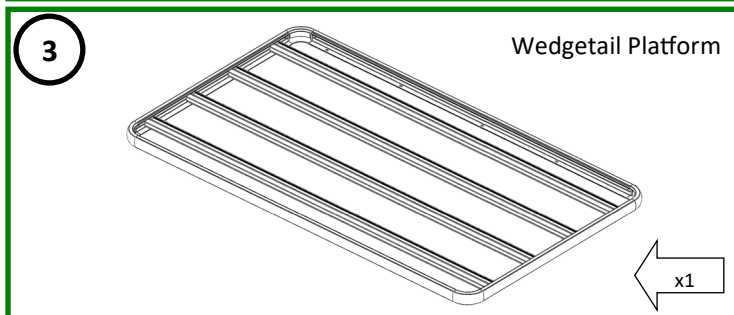
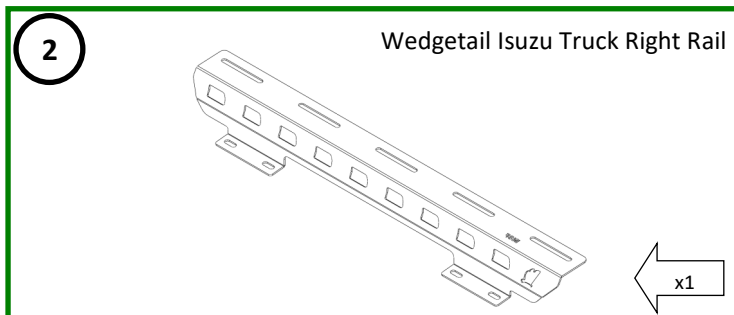
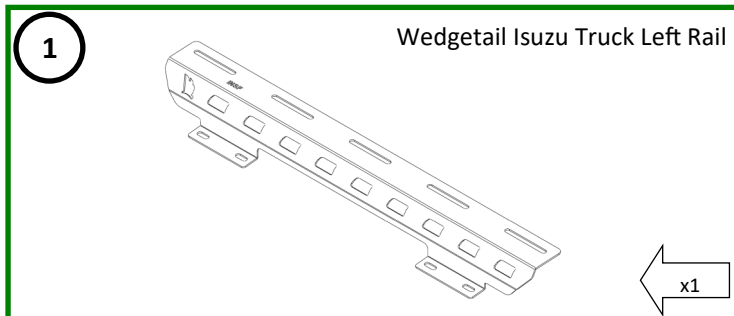
Please read and follow the instructions carefully to ensure correct fitment.

Contact us if any parts appear missing, incorrect, or damaged.

Clean the roof prior to fitting the roof racks.

### Tools Required:

- Hex key (6 mm)
- Spanner (17mm)



# Wedgetail Rails and Platform Fitting Instruction

To suit Isuzu Trucks N-series Single Cab Flat Roof

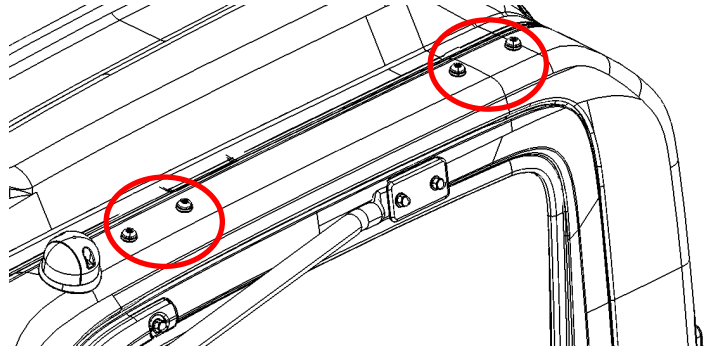


WT-INSF-1119

## Assemble Rails to Roof

1

- Unscrew the given screw which is attached on the roof of the vehicle (Shown in Red circle)

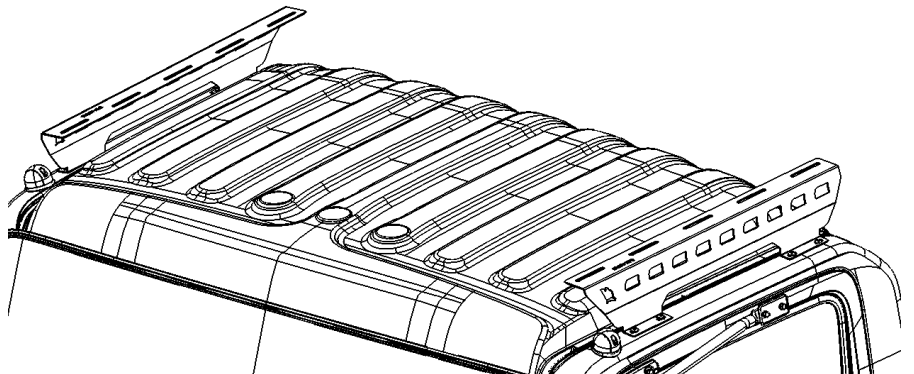


2

- Apply silicone on all the roof channel mounting holes to prevent any water ingress.

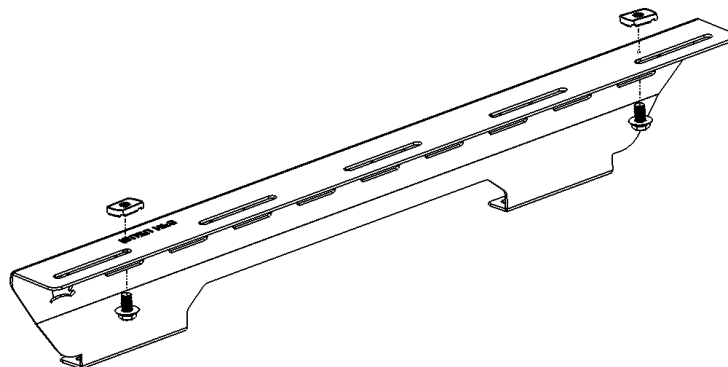
3

- Place the rails on the roof and fit with the screws provided from the vehicle



4

- Attach the channel nuts to the top of rail.
    - Fit 10mm Bolt / Split washer / Flat washer / Channel Nuts to the top of rail.
- \* Channel nuts to the top as shown in the following diagram





### Assemble the Wedgetail Platform to the rails

5

- Place the Wedgetail Platform on the rails (Wind deflector mounting towards the front of vehicle), then spin the channel nuts 90 degree in the channel on the underside of the rack till they lock into the channels. Do not tighten fully.

6

- Centralize the rack side to side (using a tape measure) on the wedgetail rails.

7

- Fully tighten remaining bolts in the following order:
  1. Rails to the lugs
  2. Rails to platform

**NOTE**-Ensure the channel nuts are 90 degrees to the channels.



Check fastenings are firmly tensioned at regular intervals.

Do not overtighten, this will preserve the spring washers.

Thank you for your purchase.

Please complete your warranty application following correct installation.

Wedgetail by Tradesman Roof Racks

Innovation through Inspiration