

# Lockable Starlink Mini Mount

To suit Wedgetail Adventure



WTA-LSLMM

**Congratulations on the purchase of your Australian made Wedgetail Roof Rack product.**

Please read and follow the instructions carefully to ensure correct fitment.

Contact us if any parts appear missing, incorrect, or damaged.

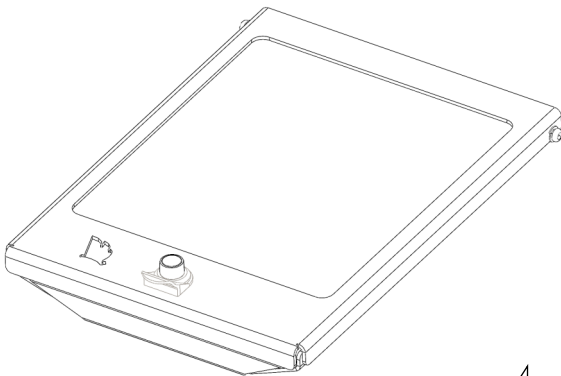
Clean the roof prior to fitting the roof racks.

## **Tools Required:**

Hex Key, spanner

## **Kit Content**

**1** Starlink Mount



x1

Fasteners

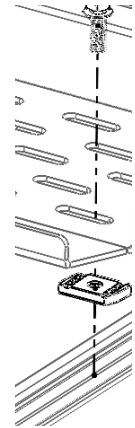


x1

### Assemble to Platform

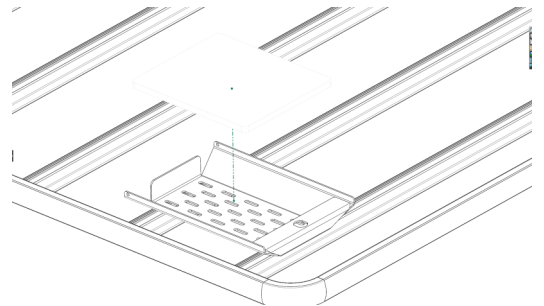
1

- Position the mount centrally over the roof-rack crossbars, aligning the available side slots with the channels.
- The kit includes Wedgetail **M8 channel nuts** for the roof-rack channels beneath each slot, ensuring they sit flat and parallel. Alternative fixings can be used.
- Feed the **M8 dacro bolts** down through the mount slots and into the channel nuts; tighten evenly with a hex key, keeping the tray square to the rack.



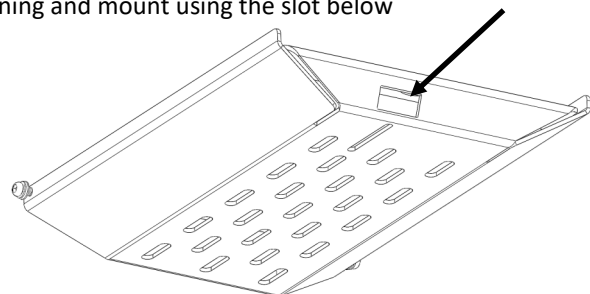
2

- Position the **Starlink mini** centrally onto the mount, ensuring the base aligns.



3

- Insert the Anderson plug in the opening and mount using the slot below



Thank you for your purchase.

Please complete your warranty application following correct installation.

Wedgetail by Tradesman Roof Racks

Innovation through Inspiration

## Lockable Starlink Mini Mount

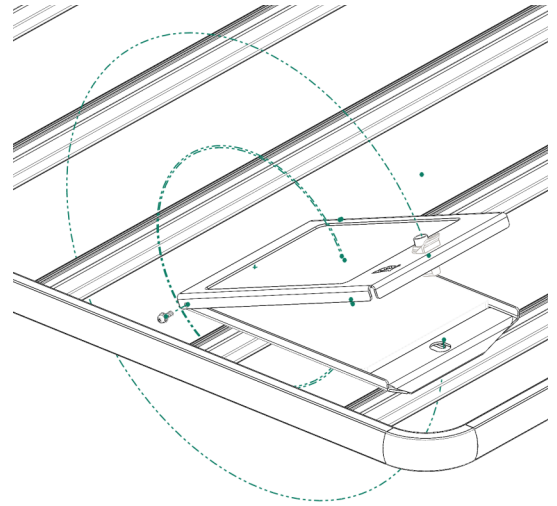
To suit Wedgetail Adventure



WTA-LSLMM

4

- Insert the M6 dome-head bolts through the side holes of the lid and through the corresponding holes in the base. From the inside, install the M6 Nyloc nuts and tighten using an appropriate spanner or socket while holding the bolt head with an Allen key or driver as required.
- Position the latch assembly into the pre-cut opening in the lid. From the underside of the lid, thread the latch backing plate/retaining piece onto the latch body and tighten until the latch is firmly clamped to the lid.
- Close the lid and engage the latch, ensuring the latch hooks securely onto the base. Turn the key or locking mechanism to lock the lid in place and confirm the lid cannot be opened.



**Thank you for your purchase.**

**Please complete your warranty application following correct installation.**

**Wedgetail by Tradesman Roof Racks**

**Innovation through Inspiration**