

Congratulations on the purchase of your Australian made Wedgetail Roof Rack product.

Please read and follow the instructions carefully to ensure correct fitment.

Contact us if any parts appear missing, incorrect, or damaged.

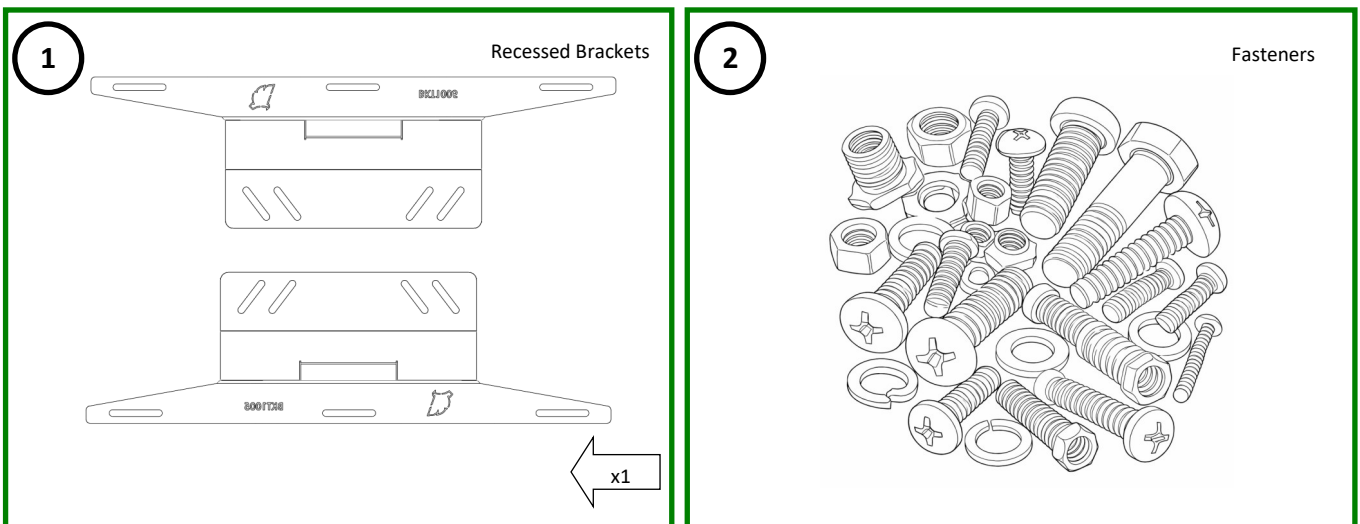
Contact us if any question about the size of platform to ensure the correct fitment

Scan QR code for a fitting demonstration

Tools Required:

- Hex Key

Kit Content



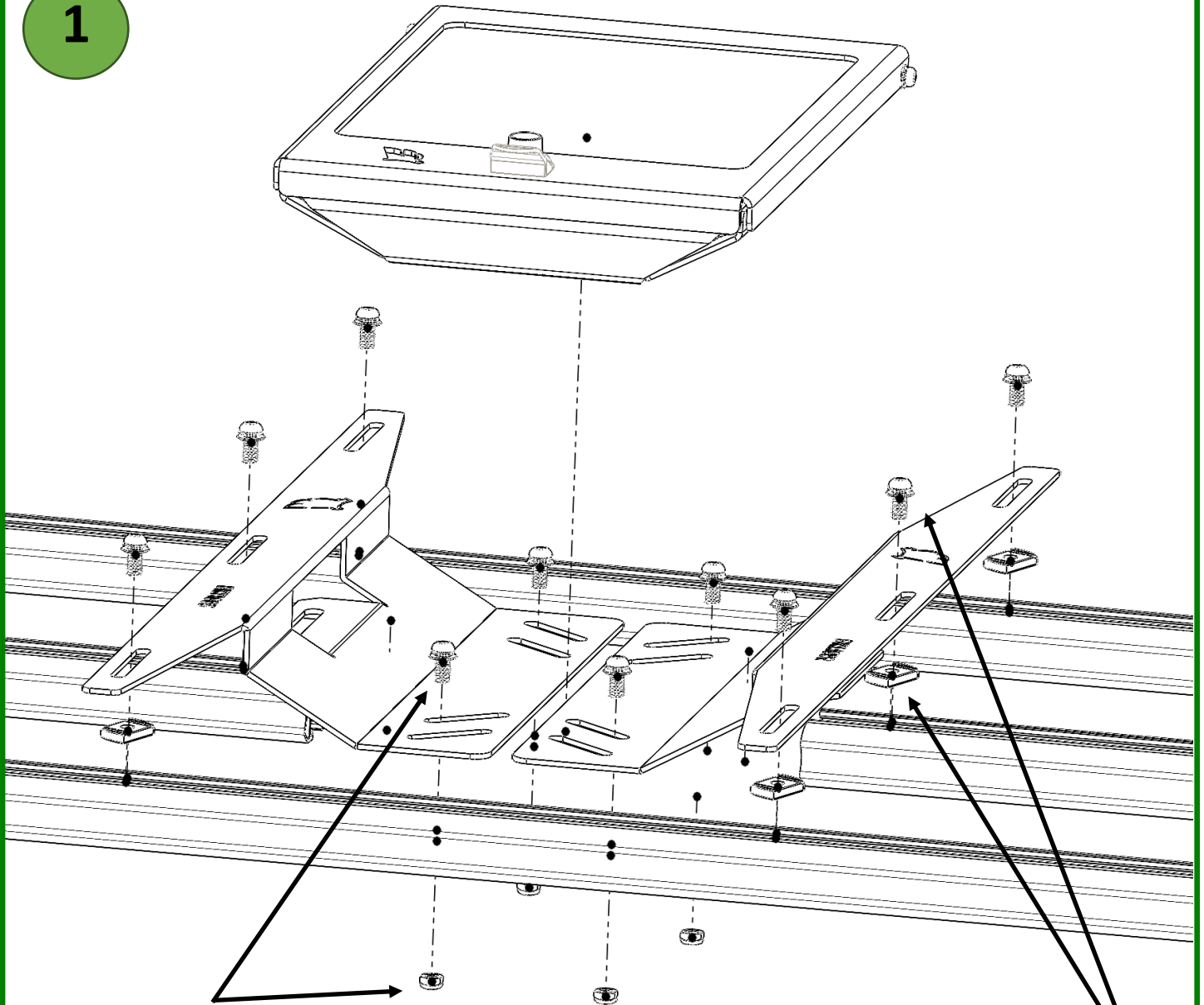
Wedgetail Accessory Starlink Recessed Mount Adapter

Fitting Instruction



WTA-SLMRA

1



- Connect the Starlink mount to the adapter using the Dacro Bolts and Nyloc Nuts
- Connect the Adapter to the roof rack using Dacro bolts and Channel Nuts



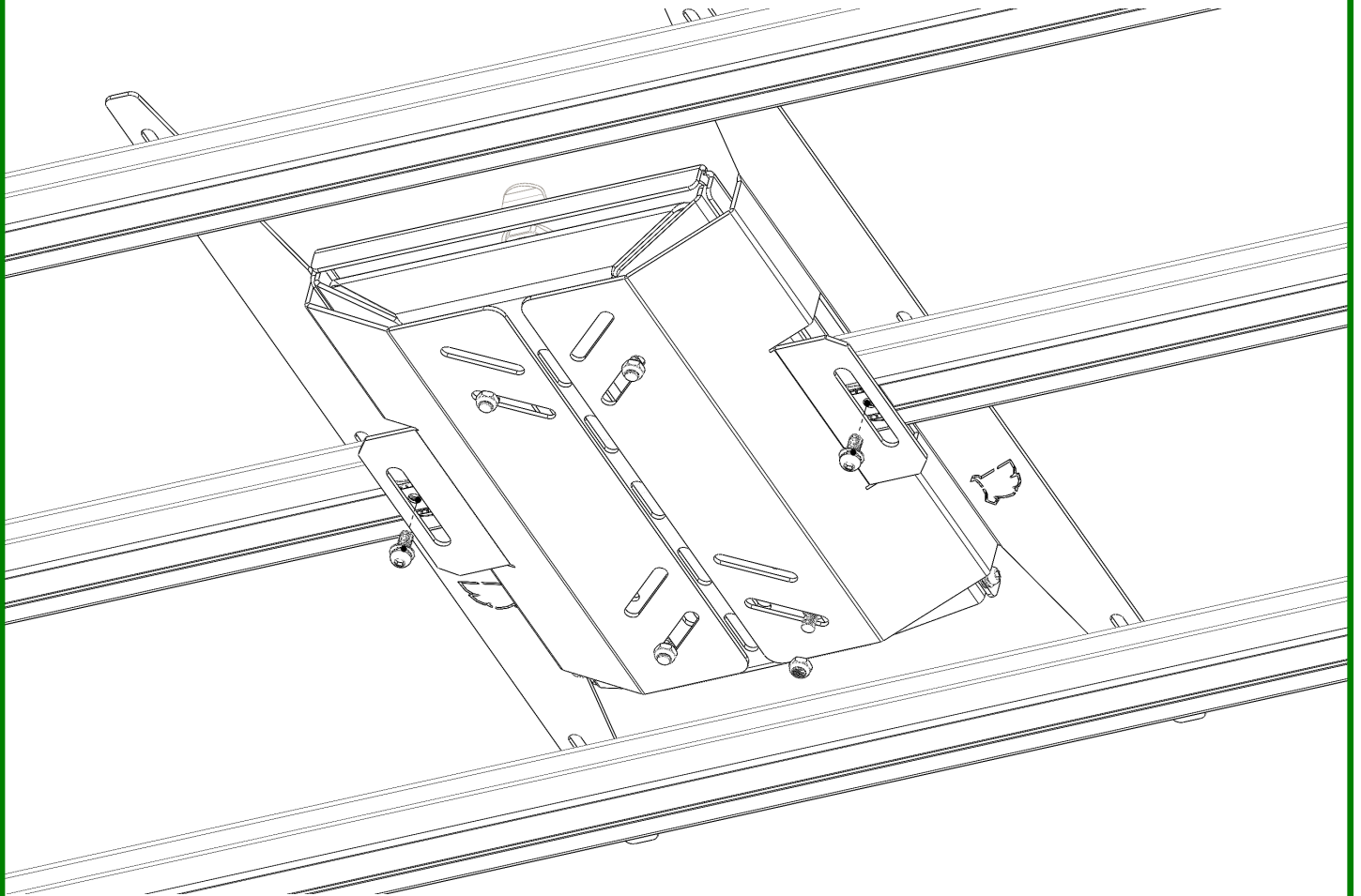
NOTE-Ensure the channel nuts are 90 degrees to the channels.

Thank you for your purchase.

Wedgetail by Tradesman Roof Racks

Innovation through Inspiration

2



- Bolt the underside of the adapter into the crossbar

NOTE-Ensure the channel nuts are 90 degrees to the channels.



Check fastenings are firmly tensioned at regular intervals.

Do not overtighten, this will preserve the spring washers.

Thank you for your purchase.

Wedgetail by Tradesman Roof Racks

Innovation through Inspiration

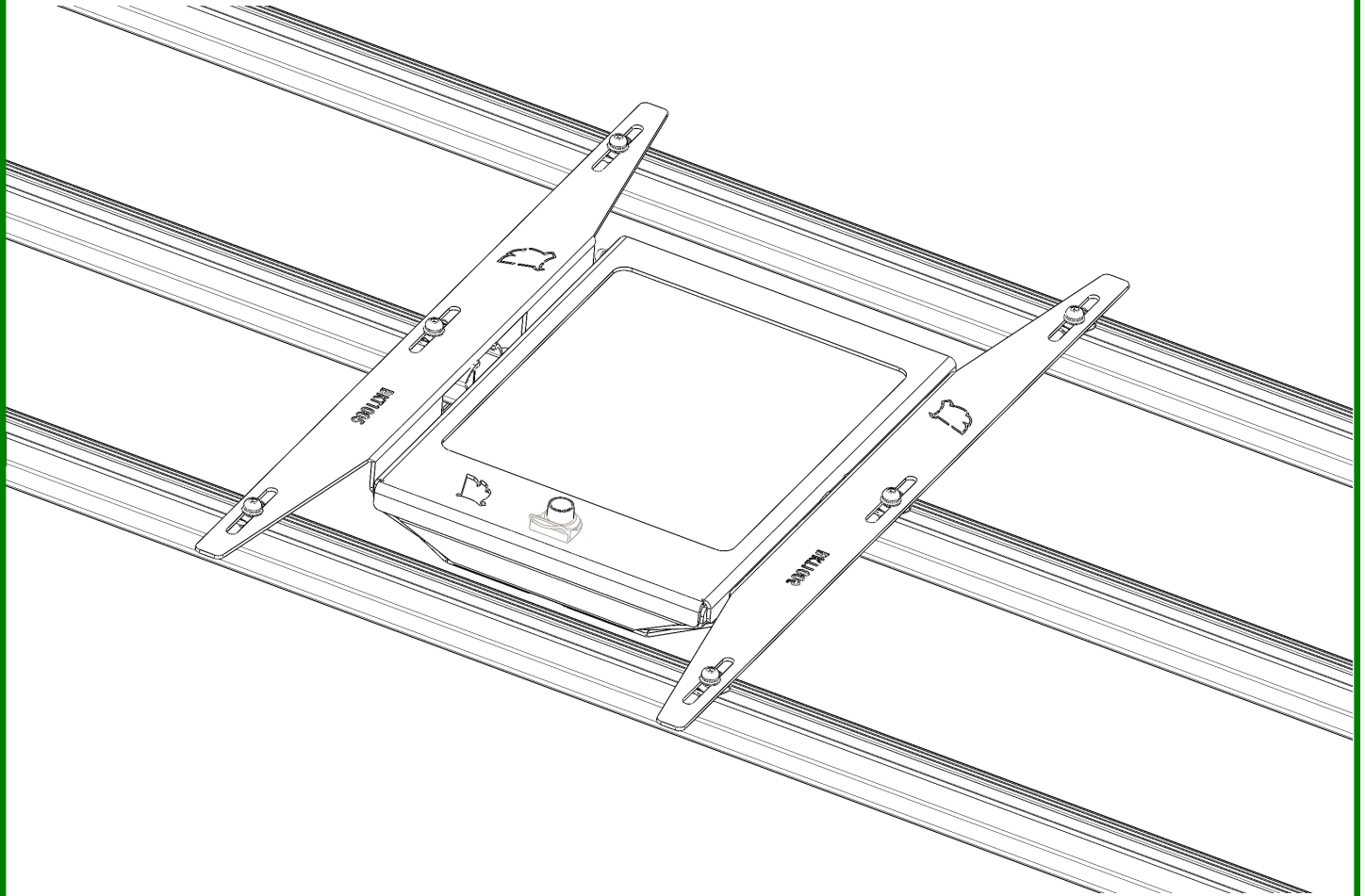
Wedgetail Accessory Starlink Recessed Mount Adapter

Fitting Instruction



WTA-SLMRA

2



NOTE-Ensure the channel nuts are 90 degrees to the channels.



Check fastenings are firmly tensioned at regular intervals.

Do not overtighten, this will preserve the spring washers.

Thank you for your purchase.

Wedgetail by Tradesman Roof Racks

Innovation through Inspiration