

# Wedgetail Accessory Aerial Mount Fitting Instruction

To Suit The Toyota Landcruiser 300 11/21—Current 3— Dual Cab



WTA-T300AM

**Congratulations on the purchase of your Australian made Wedgetail Roof Rack product.**

Please read and follow the instructions carefully to ensure correct fitment.

Contact us if any parts appear missing, incorrect, or damaged.

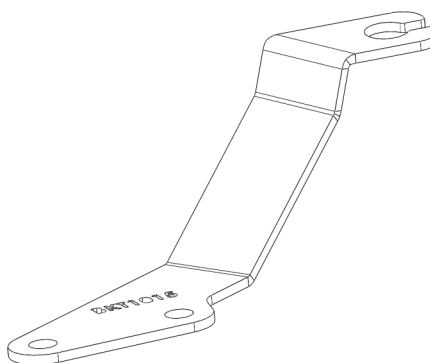
## **Tools Required:**

- Handheld Ratchet
- 12mm Socket

## **Kit Contents**

**1**

**Aerial Mount**



# Wedgetail Accessory Aerial Mount Fitting Instruction

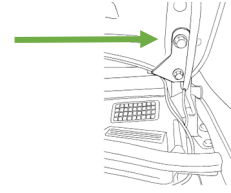
To Suit The Toyota Landcruiser 300 11/21—Current 3— Dual Cab



WTA-T300AM

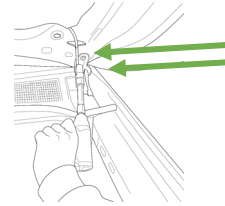
1

- Open the Bonnet and locate the hinge on the passenger side of the vehicle



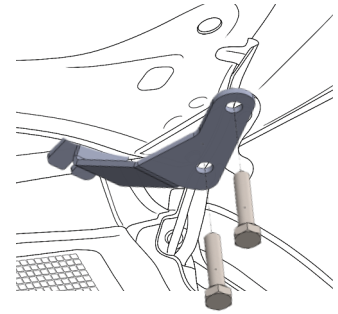
2

- Remove the two hinge bolts that support the bonnet



3

- Align the mounting holes in the bracket underneath the hinge and the bonnet



4

- Re-tighten the original bolts back through both the Aerial Mount and the hinge

5

- Close the bonnet and connect the Aerial



**Fitting Note:**

check for clearance of the Aerial Mount after installation to ensure it doesn't interfere with the body of the vehicle

6



**Fitting Note:**

Minor adjustment may be required after installation to make aerial vertical or if the mount interferes with the vehicle clearance. Carefully make the necessary bending adjustments using an adjustable wrench as shown.

